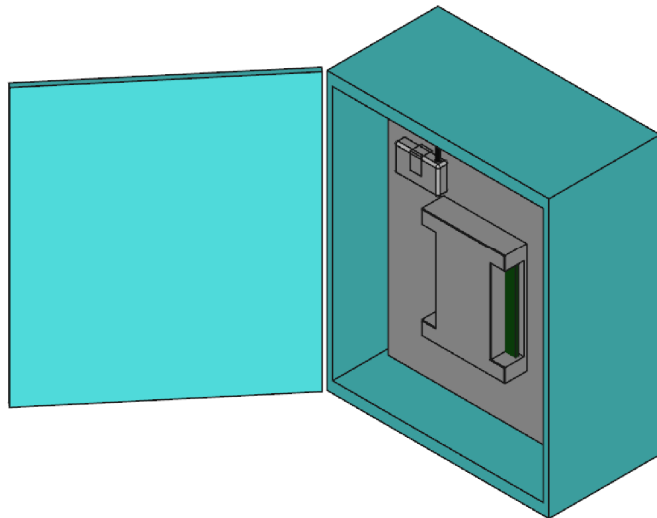


Vibrating Wire Datalogger D3200PRO-OG799-D300VW



Applications

The dataloggers series D300VW e OG799 are suitable for Geotechnical, Structural and Environmental monitoring for all vibrating wire instruments.

List of possible sensors:

Vibrating wire piezometers

Vibrating wire crackmeters

Any vibrating wire instruments

Features


The dataloggers series D300VW e OG799 for vibrating wire instruments are easy to use. Software is user friendly and compatible with any Windows OS. Low power consumption allows a very long autonomy (about 1 year with 4 data acquisitions per day).

The datalogger is cheap and running costs are extremely low. The batteries used are common C or D size alkaline or rechargeable lead-acid gel. Data can be transmitted to any FTP server thanks to the optional GPRS modem. Connection to a solar panel allows a limitless transmission but is non mandatory.

Datalogger sports a relais multiplexer. This feature acts as a protection to any attached sensor. In case of any attached sensor gets damaged or destroyed, all other sensors will continue to function properly.

Installation

The dataloggers series D300VW and OG799 for vibrating wire instruments can be placed close to monitored sensors. After simply setting timer for data acquisitions and setting sensors type, datalogger is ready to use.

	Datalogger D3200PRO-OG799-D300VW	Number	19b
	O.T.R. s.r.l. Via Btg. Susa 36 29122 Piacenza +39 0523 594290		Page 1 of 2
	www.otr-geo.it info@otr-geo.it Vat Number 00894610153	Rev. 00	20/09/2017

Datalogger D3200PRO-OG799-D300VW

Technical Specifications


Model	D300VW	OG799VW	D3200PRO
Inputs	3 VW + 3 NTC + Battery Level	8 / 64 VW + 8 / 64 NTC + Battery Level	8 / 32 VW & NTC, mV, mA + Battery Level
Resolution Range	0.1 digits (Hz2x10-3) VW 0.1°C NTC, Range: 500-5000 Hz	0.05 Hz @ 800 Hz, 0.3 Hz @ 3000 Hz 0.1°C NTC - Range: 500-5000 Hz	0.05 Hz @ 800 Hz, 0.3 Hz @ 3000 Hz 0.1°C NTC - Range: 500-5000 Hz +/-20000 digits on +/-4V span
Memory	EEPROM 64 Kbyte	RAM 512 Kbyte + 512 Kbyte FLASH	RAM 512 Kbyte + 512 Kbyte FLASH
Inputs	VW, NTC	VW, NTC	VW, NTC , mV, 4-20 mA
Data	Up to 5000 for every sensor	Up to 4000 for every sensor	Up to 4000 for every sensor
Sensor Supply	Sweep	Sweep	Sweep, 15Vdc, 2.000 Vref
Power Supply	Lead acid Battery 6V 12Ah - Solar Panel (On demand)	Lead acid Battery 6V 12Ah - Solar Panel (On demand)	Lead acid Battery 6V 12Ah - Solar Panel (On demand)
Stand By Current Consumption	< 100 microAperè	< 200 microAperè	< 200 microAperè
Box	IP65	IP65	IP65
Thermal Stability	< 15 ppm	< 15 ppm	< 15 ppm
Multiplexer	relais	relais	relais
Output	Digit, Hz, physical units		
Optional	Ethernet 232 GSM/GPRS , 3G per		



Related Instrumentation:

- GPRS, 3G, ethernet, wi-fi modules
- 20W Solar Panel
- Vibrating wire instrumentation
- mV/4-20 mA instrumentation
- 4-20 mA Converters
- MyOtr

Product Technical specifications are subject to change without notice

	Datalogger D3200PRO-OG799-D300VW	Number	19b
	O.T.R. s.r.l. Via Btg. Susa 36 29122 Piacenza +39 0523 594290		Page 2 of 2
	www.otr-geo.it info@otr-geo.it Vat Number 00894610153	Rev. 00	20/09/2017