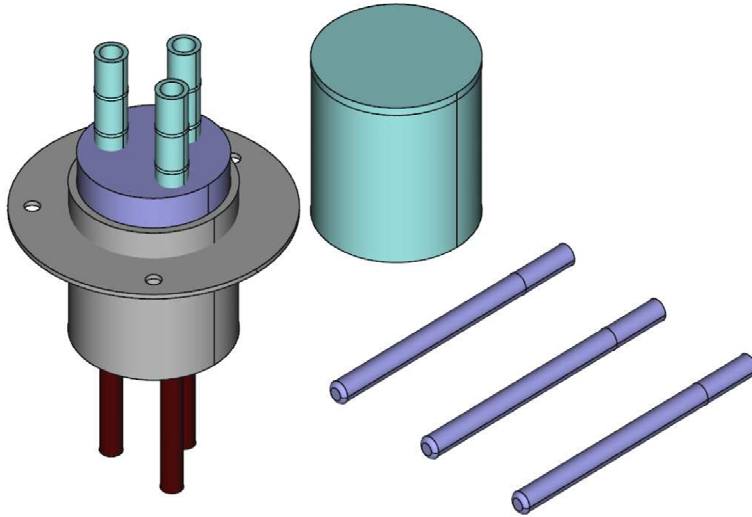


Multi Rod Extensometer OG700



Applications

Rod extensometers (single rod or up to 6 rods) are suitable for monitoring absolute or differential movements in rock masses and soil.

They are employed in:


- Tunnels
- Landslides
- Dams
- Mining excavations
- Underground openings
- Cut slope and trenches
- Foundations

Technical features

Rod extensometers employ a single or multiple anchors grouted inside the a drilled hole at various depths. The relative vertical displacement of any anchor is transmitted to the head through stainless steel rods isolated by Pvc sheat. Rod head movement can be detected trough a dial depth gauge or an electric displacement transducer (one for each rod). Measurements can be made by portable readout unit or data acquisition system.

Uses

- Monitoring ground movements due to tunneling or underground opening
- Foundation settlements monitoring
- Retaining walls displacements monitoring

	Rod Extensometer OG700	Number 6	
	O.T.R. s.r.l. Via Btg. Susa 36 29122 Piacenza +39 0523 594290	Page 1 of 2	
	www.otr-geo.it info@otr-geo.it Vat Number 00894610153	Rev. 00	20/09/2017

Rod Extensometer OG700

Technical features


Model	OG700-3	OG700-6
Anchors	1 ... 3	4 ... 6
Installation	Any	Any
Rod material	Stainless Steel / Fiberglass	Stainless Steel / Fiberglass
Rod diameter	10 mm AISI304 / 7 mm Fiber	10 mm AISI304 / 7 mm Fiber
Rod sleeve	PVC	PVC
Reference head material	Stainless Steel/Aluminium	Stainless Steel/Aluminium
Anchors material	Galvanized Steel	Galvanized Steel
Displacement transducer	Range: 0..25, 50, 100 mm	
Resolution	4-20 mA – VW 0.01 mm	
Accuracy	0.3% f.s.	



Related instrumentation:

- Transducers OG400
- Manual readout unit OG180, OG180VW, Geotester
- Datalogger D200-D800-D1600-D3200
- MyOtr

All product technical specifications are subject to change without notice.

	Rod Extensometer OG700	Number 6	
	O.T.R. s.r.l. Via Btg. Susa 36 29122 Piacenza +39 0523 594290	Page 2 of 2	
	www.otr-geo.it info@otr-geo.it Vat Number 00894610153	Rev. 00	20/09/2017